



超長型  
半密式同步帶  
直線電缸滑台

SUPER LENGTH  
SEMI SEALED TOOTHED BELT AXES  
LINEAR ACTUATOR

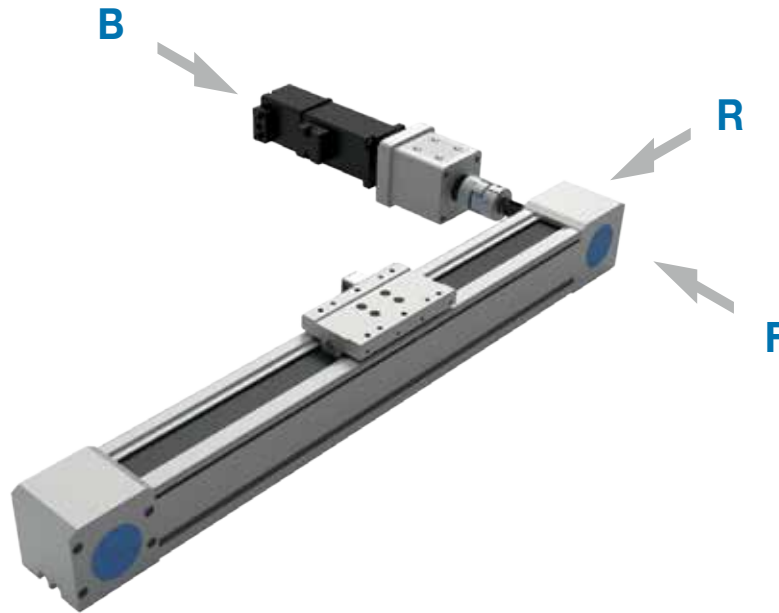
# 產品安裝配置圖

## PRODUCT CONFIGURATION

### 馬達安裝配置

#### Motor Install Configuration

- F** = 前方  
Front
- B** = 後方  
Back
- D** = 馬達直接安裝  
Motor Direct Installed
- P** = 馬達間接安裝  
Motor Parallel Installed



### 傳動軸安裝配置

#### Solid Shaft Configuration



以上負載力矩曲線，客戶選用之負載需在我司產品最大負載範圍內 Above load torque curve, the loading should be within the maximum load range

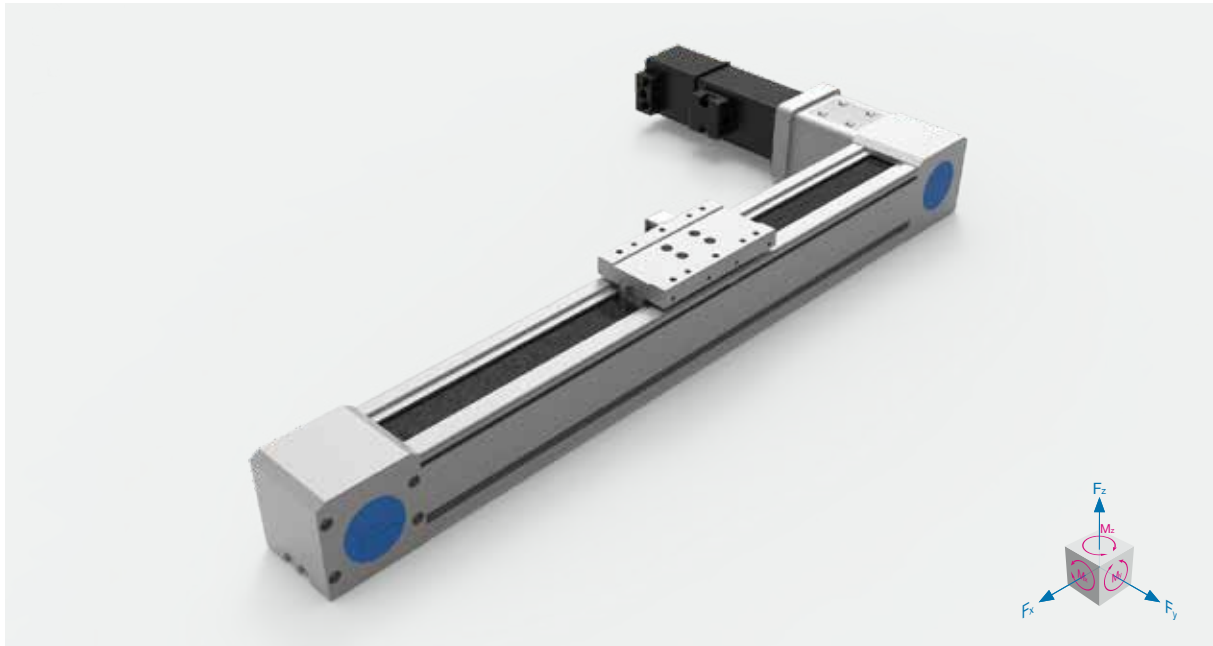
日規電缸滑台 JP linear actuator
歐規電缸滑台 EU linear actuator
超長型電缸滑台 Super length linear actuator
活塞杆電動缸 Cylinder actuator
旋轉台 Rotary stage
精密對位平台 Precision alignment stage
減速機 Gear reducer
十字轉向器 Bevel gearbox
半密同步帶 Semi sealed toothed belt axis
全密同步帶 Sealed toothed belt axis

T
45L
60L
80L
112L

# 超長型半密同步帶電缸滑台

SUPER LENGTH SEMI SEALED TOOTHED BELT AXES LINEAR ACTUATOR

- 日規電缸滑台  
JP linear actuator
- 歐規電缸滑台  
EU linear actuator
- 超長型電缸滑台  
Super length linear actuator**
- 活塞杆電動缸  
Cylinder actuator
- 旋轉台  
Rotary stage
- 精密對位平台  
Precision alignment stage
- 減速機  
Gear reducer
- 十字轉向器  
Bevel gearbox
- 半密同步帶  
Semi sealed toothed belt axes
- 全密同步帶  
Sealed toothed belt axes



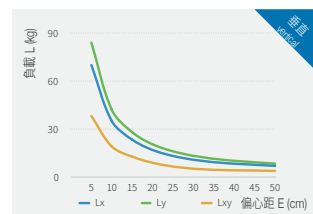
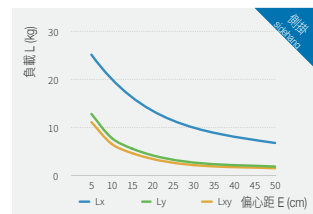
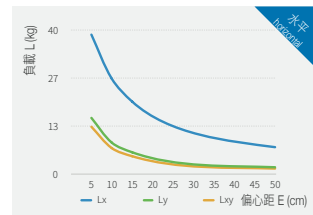
## AIMT 45L - 400 - RB - D - T2 - M100 - O - S3

超長型半密同步帶 Super Length Semi Sealed Toothed Belt Axes	缸徑 Size (mm)	行程 Stroke (mm)	右側出軸方向 Right Solid Shaft Direction	馬達安裝位置 Motor Position	減速比配置 Reducer Ratio Config.	馬達功率 Motor Power (W)	光電開關 Optical Proximity Sensor Position	開關數 Number of Sensors
			RF 向前 Forward RB 向後 Backward RD 雙向 Two-way	D 直接安裝 Direct P 間接安裝 Parallel	無 None T 同步輪 Timing Pulleys G 減速機 Gear Reducor 1:2~1:10	M 三菱 Mitsubishi T 台達 Delta P 松下 Panasonic O 其他 Others Y 安川 Yokawa	無 None O 外掛 Hang Outside	S3 3個開關 3x Sensors Sn n個開關 nx Sensors
						100		

● 有選項 Optional    ● 無選項 No options

馬達輸出 Motor Power (W)	100		
額定扭矩 Torque (Nm)	0.32		
同步帶規格 Toothed Belt Size (mm)	HTD3M - 15 x 3		
重複定位精度 Rep. Accuracy (mm)	±0.1		
減速比配置 Reducer Ratio Config.	同步輪 Timing Pulleys	1:2	減速機 Gear Reducor 1:3-1:10
同步帶導程 Toothed Belt Size (mm)	99		
最高速度 Max. Speed (mm/s)	5000		
行程範圍 Stroke Range (mm)	100...5000 / 100 間隔 Pitch		
每米行程的轉動慣量 Per Meter Stroke (kg cm <sup>2</sup> /m)	0.4		
每公斤負載轉動慣量 Per Kg Working Load (kg cm <sup>2</sup> /kg)	2.3		
最大負載值 Max. Load (Kg)	12	水平 Horizontal	12
		側掛 Sidehang	6

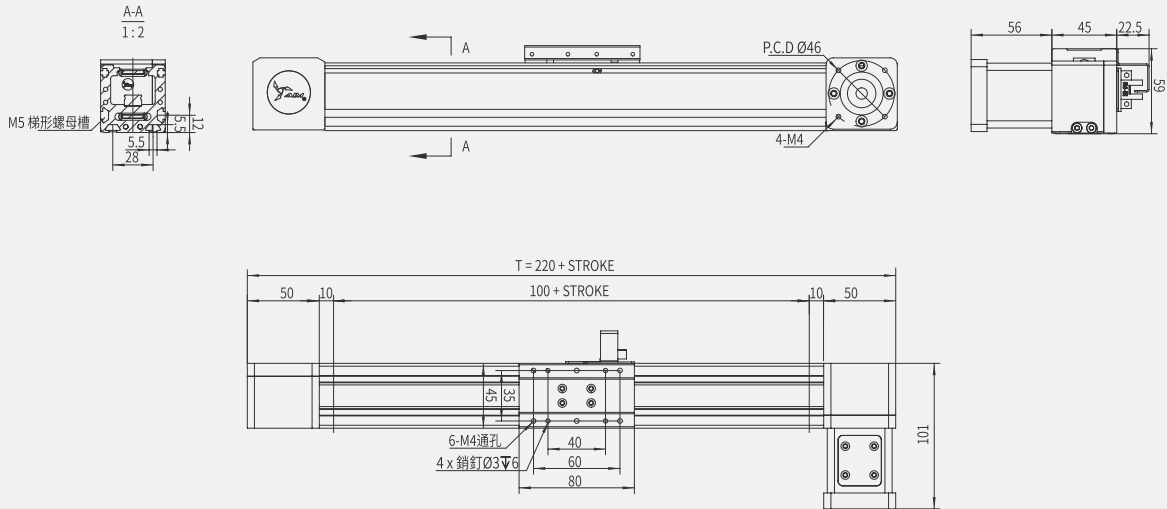
力和力矩 Force and torques	F <sub>y</sub> (N)	360
	F <sub>z</sub> (N)	720
	M <sub>x</sub> (N.m)	12
	M <sub>y</sub> (N.m)	42
面積二次矩 2nd moment of area	L <sub>xx</sub> (cm <sup>4</sup> )	40
	L <sub>yy</sub> (cm <sup>4</sup> )	45
0mm行程基本重量 Basic Weight for 0mm Stroke (kg)	1.7	
每100mm行程增加重量 Additional Weight per 100mm Stroke (kg)	0.5	
磁簧開關 Proximity Sensor	CS1-M-1M 觸點式1米 1m Contact Type	
	CS1-MN-3M 無觸點NPN型3米 1m Contactless NPN Transistor	
	CS1-MP-3M 無觸點PNP型3米 1m Contactless PNP Transistor	



以上負載力矩曲線，客戶選用之負載需在我司產品最大負載範圍內 Above load torque curve, the loading should be within the maximum load range

AIMT45L-RF-D 向前直接安裝 motor direct forward installed

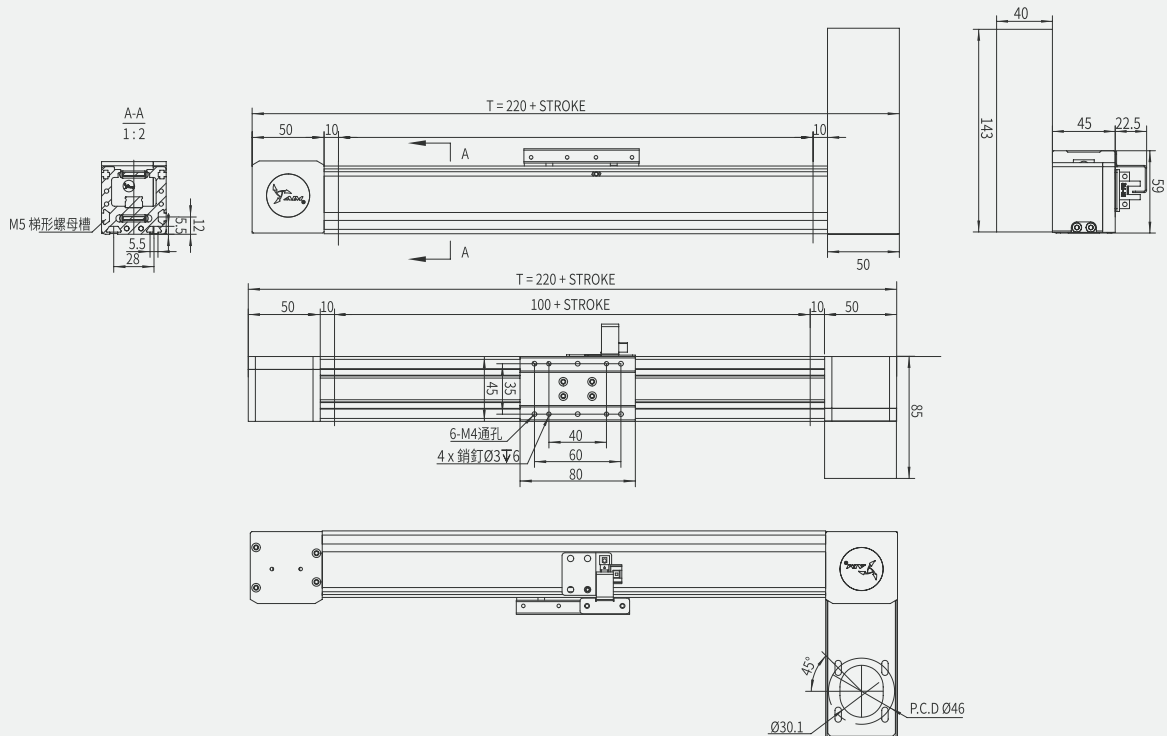
單位 Unit: mm



本圖面僅供參考用途，實際尺寸皆以實際提供之2D/3D圖紙為準 This drawing is for reference only. The actual dimensions are based on the actual 2D / 3D drawings provided.

AIMT45L-RF-P 向前間接安裝 motor parallel forward installed

單位 Unit: mm



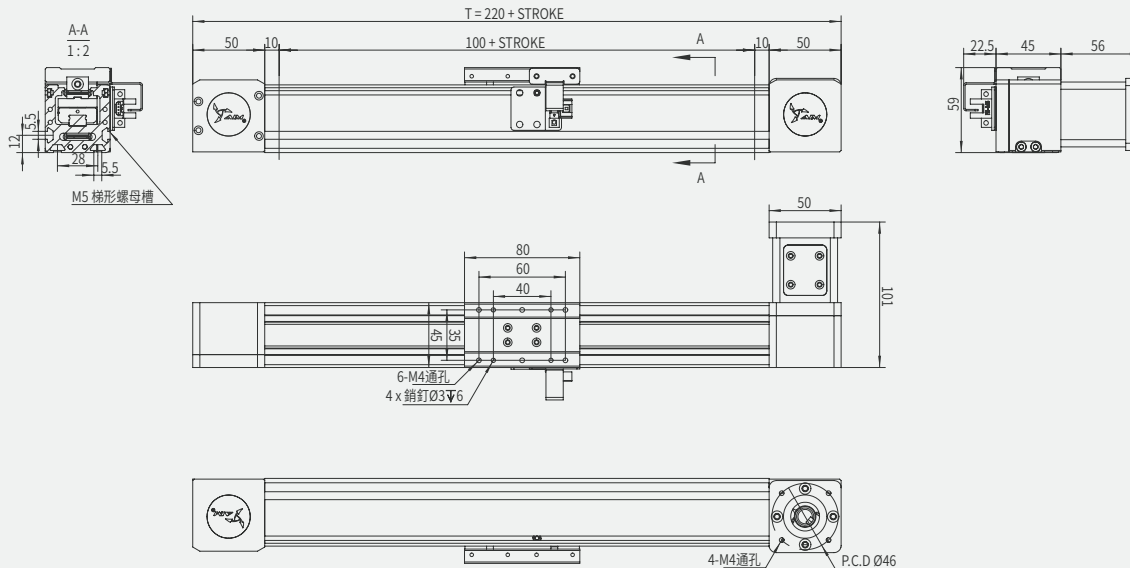
本圖面僅供參考用途，實際尺寸皆以實際提供之2D/3D圖紙為準 This drawing is for reference only. The actual dimensions are based on the actual 2D / 3D drawings provided.

- 日規電缸滑台  
Linear actuator
- 歐規電缸滑台  
EU linear actuator
- 超長型電缸滑台  
Super length linear actuator
- 活塞杆電動缸  
Cylinder actuator
- 旋轉台  
Rotary stage
- 精密對位平台  
Precision alignment stage
- 減速機  
Gear reducer
- 十字轉向器  
Bevel gearbox
- 半密同步帶  
Semi sealed toothed belt axes
- 全密同步帶  
Sealed toothed belt axes

- T
- 45L
  - 60L
  - 80L
  - 112L

AIMT45L-RB-D 向後直接安裝 motor direct forward installed

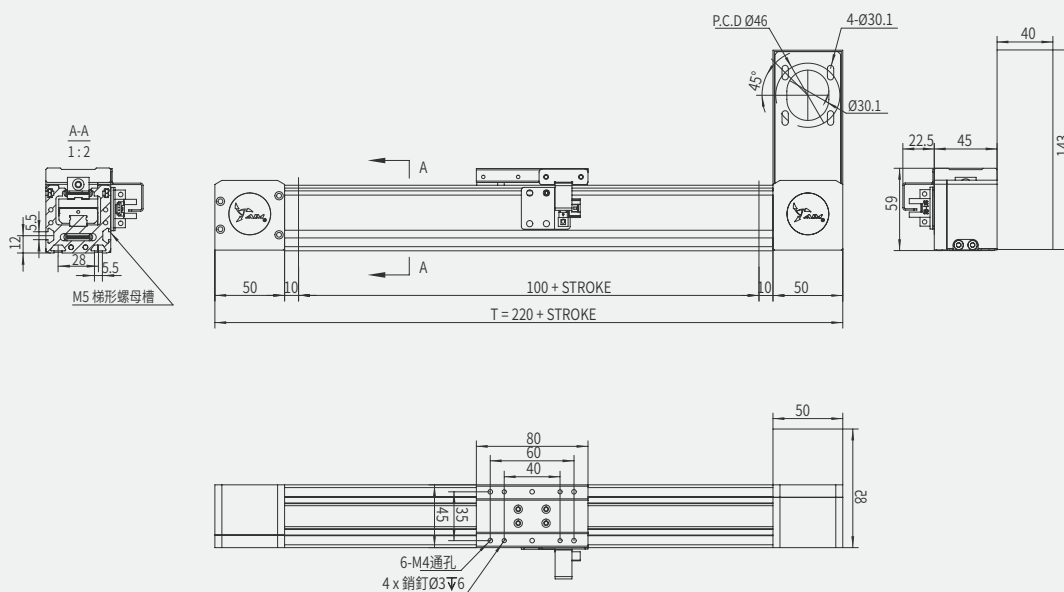
單位 Unit: mm



本圖面僅供參考用途，實際尺寸皆以實際提供之2D/3D圖紙為準 This drawing is for reference only. The actual dimensions are based on the actual 2D / 3D drawings provided.

AIMT45L-RB-P 向後間接安裝 motor parallel forward installed

單位 Unit: mm



本圖面僅供參考用途，實際尺寸皆以實際提供之2D/3D圖紙為準 This drawing is for reference only. The actual dimensions are based on the actual 2D / 3D drawings provided.

T

45L

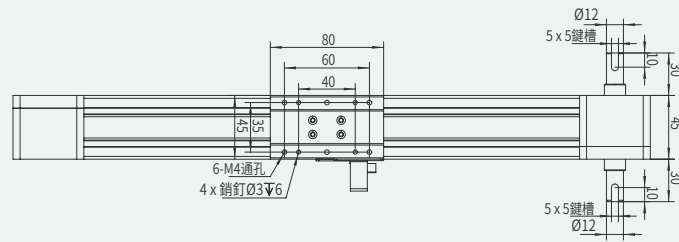
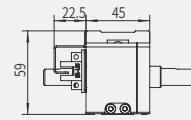
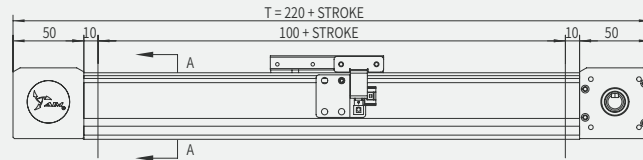
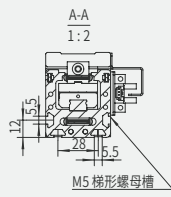
60L

80L

112L

AIMT45L-RD 雙出軸 dual Solid Shaft

單位 Unit: mm



本圖面僅供參考用途, 實際尺寸皆以實際提供之2D/3D圖紙為準 This drawing is for reference only. The actual dimensions are based on the actual 2D / 3D drawings provided.

- 日規電缸滑台  
Linear actuator
- 歐規電缸滑台  
EU linear actuator
- 超長型電缸滑台  
Super length linear actuator
- 活塞杆電動缸  
Cylinder actuator
- 旋轉台  
Rotary stage
- 精密對位平台  
Precision alignment stage
- 減速機  
Gear reducer
- 十字轉向器  
Bevel gearbox
- 半密封同步帶  
Semi sealed toothed belt axes
- 全密封同步帶  
Sealed toothed belt axes

<b>T</b>
45L
60L
80L
112L

# 超長型半密同步帶電缸滑台

## SUPER LENGTH SEMI SEALED TOOTHED BELT AXES LINEAR ACTUATOR

- 日規電缸滑台  
JP linear actuator
- 歐規電缸滑台  
EU linear actuator
- 超長型電缸滑台  
Super length linear actuator**
- 活塞杆電動缸  
Cylinder actuator
- 旋轉台  
Rotary stage
- 精密對位平台  
Precision alignment stage
- 減速機  
Gear reducer
- 十字轉向器  
Bevel gearbox
- 半密同步帶  
Semi sealed toothed belt axes
- 全密同步帶  
Sealed toothed belt axes



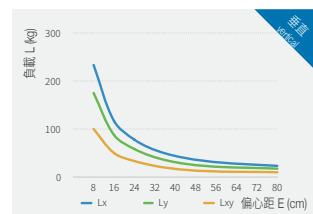
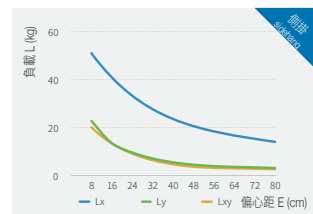
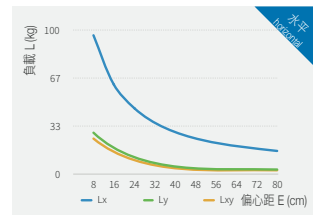
### AIMT 60L - 400 - RB - D - T2 - M750 - O - S3

<b>超長型半密同步帶</b> Super Length Semi Sealed Toothed Belt Axes	<b>缸徑</b> Size (mm)	<b>行程</b> Stroke (mm)	<b>右側出軸方向</b> Right Solid Shaft Direction	<b>馬達安裝位置</b> Motor Position	<b>減速比配置</b> Reducer Ratio Config.	<b>馬達功率</b> Motor Power (W)	<b>光電開關</b> Optical Proximity Sensor Position	<b>開關數</b> Number of Sensors																																						
			<table border="1"> <tr><td>RF</td><td>向前 Forward</td></tr> <tr><td>RB</td><td>向後 Backward</td></tr> <tr><td>RD</td><td>雙向 Two-way</td></tr> </table>	RF	向前 Forward	RB	向後 Backward	RD	雙向 Two-way	<table border="1"> <tr><td>D</td><td>直接安裝 Direct</td></tr> <tr><td>P</td><td>間接安裝 Parallel</td></tr> </table>	D	直接安裝 Direct	P	間接安裝 Parallel	<table border="1"> <tr><td></td><td>無 None</td></tr> <tr><td>T</td><td>同步輪 Timing Pulleys</td></tr> <tr><td>G</td><td>減速機 Gear Reducor</td></tr> <tr><td></td><td>1:2~1:10</td></tr> </table>		無 None	T	同步輪 Timing Pulleys	G	減速機 Gear Reducor		1:2~1:10	<table border="1"> <tr><td>M</td><td>三菱 Mitsubishi</td></tr> <tr><td>T</td><td>台達 Delta</td></tr> <tr><td>P</td><td>松下 Panasonic</td></tr> <tr><td>O</td><td>其他 Others</td></tr> <tr><td>Y</td><td>安川 Yaskawa</td></tr> <tr><td></td><td>750</td></tr> </table>	M	三菱 Mitsubishi	T	台達 Delta	P	松下 Panasonic	O	其他 Others	Y	安川 Yaskawa		750	<table border="1"> <tr><td></td><td>無 None</td></tr> <tr><td>O</td><td>外掛 Hang Outside</td></tr> </table>		無 None	O	外掛 Hang Outside	<table border="1"> <tr><td>S3</td><td>3個開關 3x Sensors</td></tr> <tr><td>Sn</td><td>n個開關 nx Sensors</td></tr> </table>	S3	3個開關 3x Sensors	Sn	n個開關 nx Sensors
RF	向前 Forward																																													
RB	向後 Backward																																													
RD	雙向 Two-way																																													
D	直接安裝 Direct																																													
P	間接安裝 Parallel																																													
	無 None																																													
T	同步輪 Timing Pulleys																																													
G	減速機 Gear Reducor																																													
	1:2~1:10																																													
M	三菱 Mitsubishi																																													
T	台達 Delta																																													
P	松下 Panasonic																																													
O	其他 Others																																													
Y	安川 Yaskawa																																													
	750																																													
	無 None																																													
O	外掛 Hang Outside																																													
S3	3個開關 3x Sensors																																													
Sn	n個開關 nx Sensors																																													

● 有選項 Optional    ● 無選項 No options

馬達輸出 Motor Power (W)	750				
額定扭矩 Torque (Nm)	2.39				
同步帶規格 Toothed Belt Size (mm)	HTD8M - 25 x 5				
重複定位精度 Rep. Accuracy (mm)	±0.1				
減速比配置 Reducer Ratio Config.	<table border="1"> <tr><td>同步輪 Timing Pulleys</td><td>1:2</td><td>減速機 Gear Reducor</td><td>1:3-1:10</td></tr> </table>	同步輪 Timing Pulleys	1:2	減速機 Gear Reducor	1:3-1:10
同步輪 Timing Pulleys	1:2	減速機 Gear Reducor	1:3-1:10		
同步帶導程 Toothed Belt Size (mm)	100				
最高速度 Max. Speed (mm/s)	5000				
行程範圍 Stroke Range (mm)	100...5000 / 100 間隔 Pitch				
每米行程的轉動慣量 Per Meter Stroke (kg cm <sup>2</sup> /m)	2.3				
每公斤負載轉動慣量 Per Kg Working Load (kg cm <sup>2</sup> /kg)	5.2				
最大負載值 Max. Load (Kg)	12	水平 Horizontal	30		
		側掛 Sidehang	20		

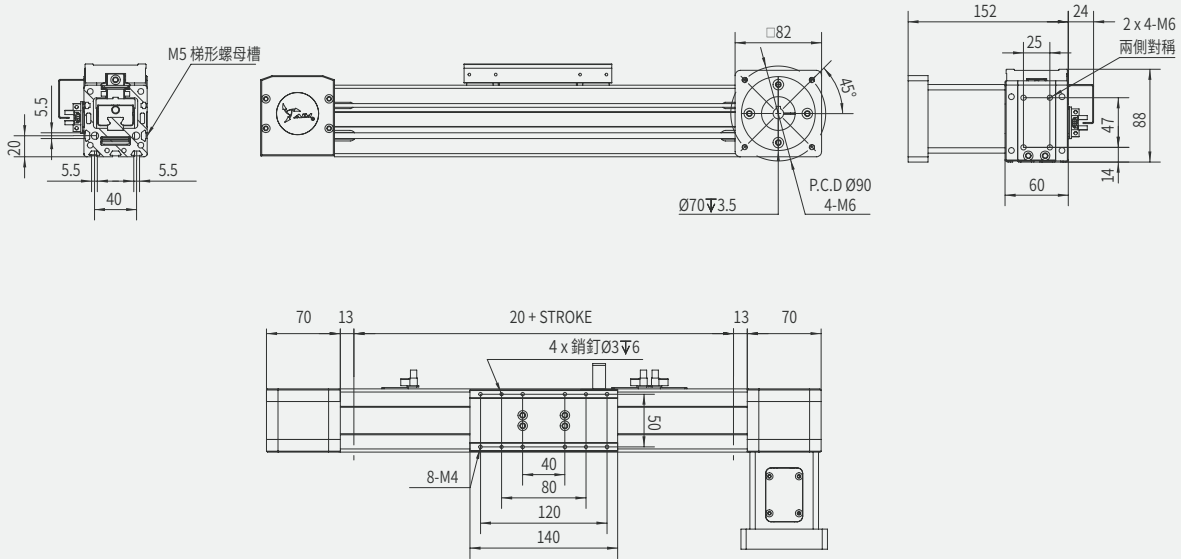
力和力矩 Force and torques	F <sub>y</sub> (N)	720
	F <sub>z</sub> (N)	2150
	M <sub>x</sub> (N.m)	20
	M <sub>y</sub> (N.m)	140
面積二次矩 2nd moment of area	L <sub>xx</sub> (cm <sup>2</sup> )	72
	L <sub>yy</sub> (cm <sup>2</sup> )	80
0mm行程基本重量 Basic Weight for 0mm Stroke (kg)	5.8	
每100mm行程增加重量 Additional Weight per 100mm Stroke (kg)	0.65	
磁簧開關 Proximity Sensor	CS1-M-1M 觸點式1米 1m Contact Type	
	CS1-M-3M 無觸點NPN型3米 1m Contactless NPN Transistor	
	CS1-MP-3M 無觸點PNP型3米 1m Contactless PNP Transistor	



以上負載力矩曲線，客戶選用之負載需在我司產品最大負載範圍內 Above load torque curve, the loading should be within the maximum load range

AIMT60L-RF-D 向前直接安裝 motor direct forward installed

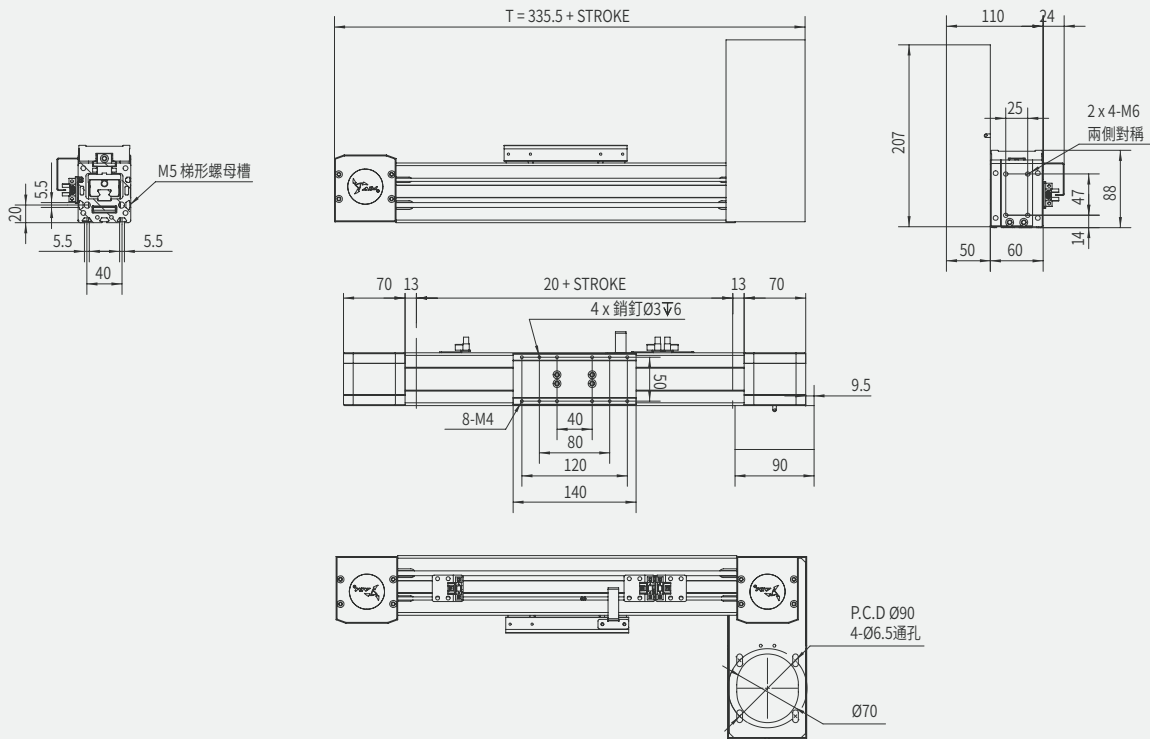
單位 Unit: mm



本圖面僅供參考用途，實際尺寸皆以實際提供之2D/3D圖紙為準 This drawing is for reference only. The actual dimensions are based on the actual 2D / 3D drawings provided.

AIMT60L-RF-P 向前間接安裝 motor parallel forward installed

單位 Unit: mm



本圖面僅供參考用途，實際尺寸皆以實際提供之2D/3D圖紙為準 This drawing is for reference only. The actual dimensions are based on the actual 2D / 3D drawings provided.

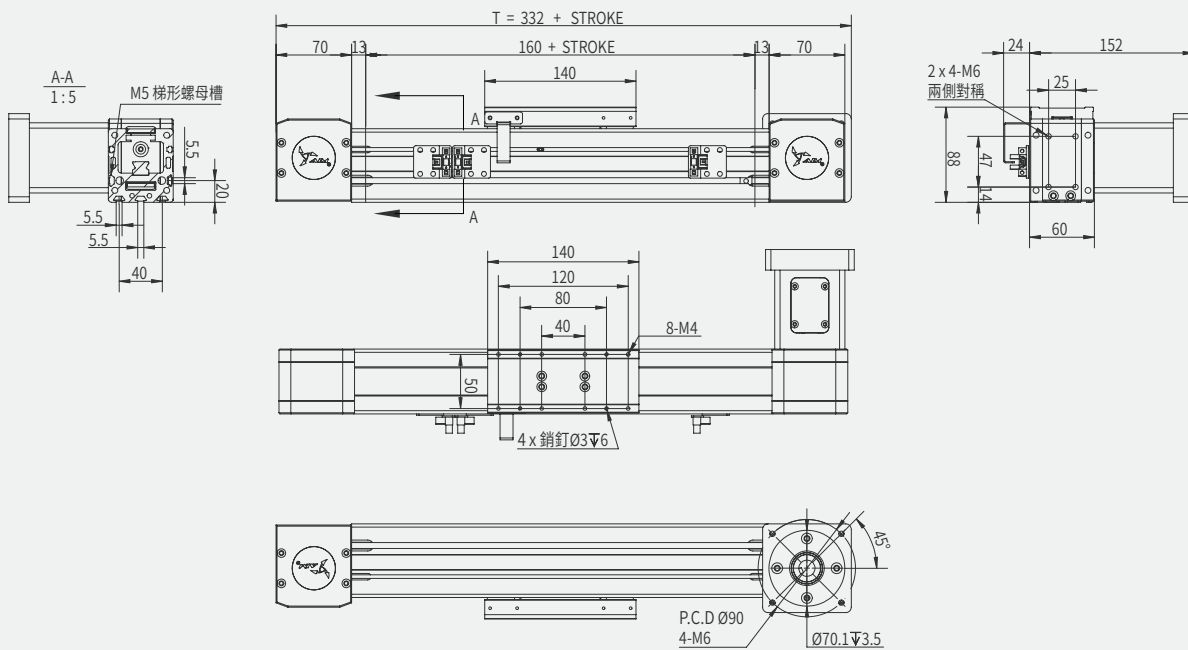
- 日規電缸滑台  
J linear actuator
- 歐規電缸滑台  
EU linear actuator
- 超長型電缸滑台  
Super length linear actuator
- 活塞杆電動缸  
Cylinder actuator
- 旋轉台  
Rotary stage
- 精密對位平台  
Precision alignment stage
- 減速機  
Gear reducer
- 十字轉向器  
Bevel gearbox
- 半密同步帶  
Semi sealed toothed belt axis
- 全密同步帶  
Sealed toothed belt axis

- T
- 45L
- 60L
- 80L
- 112L



AIMT60L-RB-D 向後直接安裝 motor direct forward installed

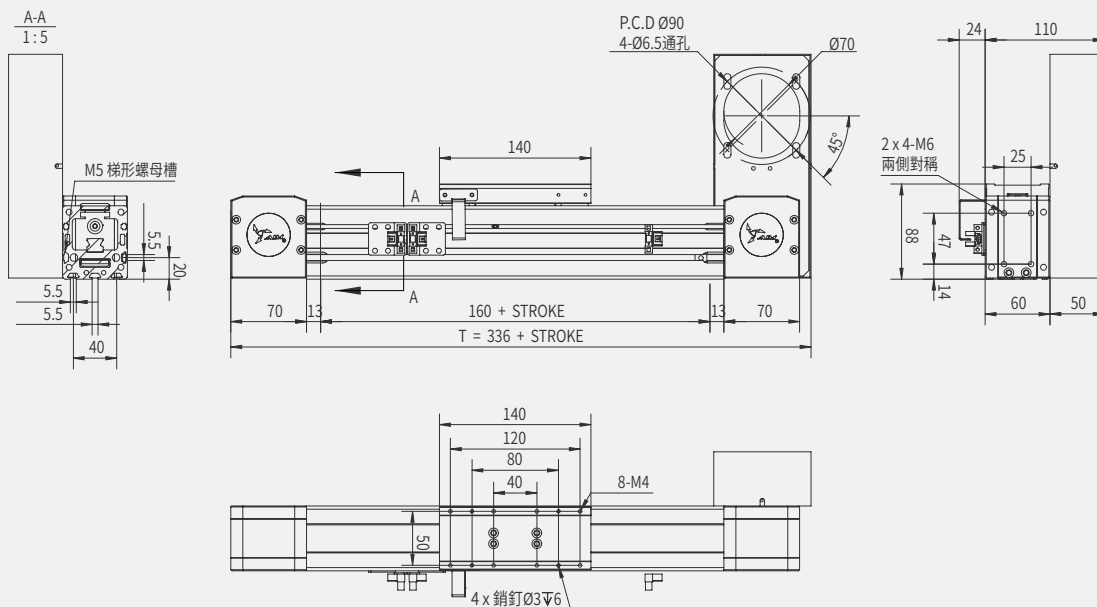
單位 Unit: mm



本圖面僅供參考用途，實際尺寸皆以實際提供之2D/3D圖紙為準 This drawing is for reference only. The actual dimensions are based on the actual 2D / 3D drawings provided.

AIMT60L-RB-P 向後間接安裝 motor parallel forward installed

單位 Unit: mm



本圖面僅供參考用途，實際尺寸皆以實際提供之2D/3D圖紙為準 This drawing is for reference only. The actual dimensions are based on the actual 2D / 3D drawings provided.

T

45L

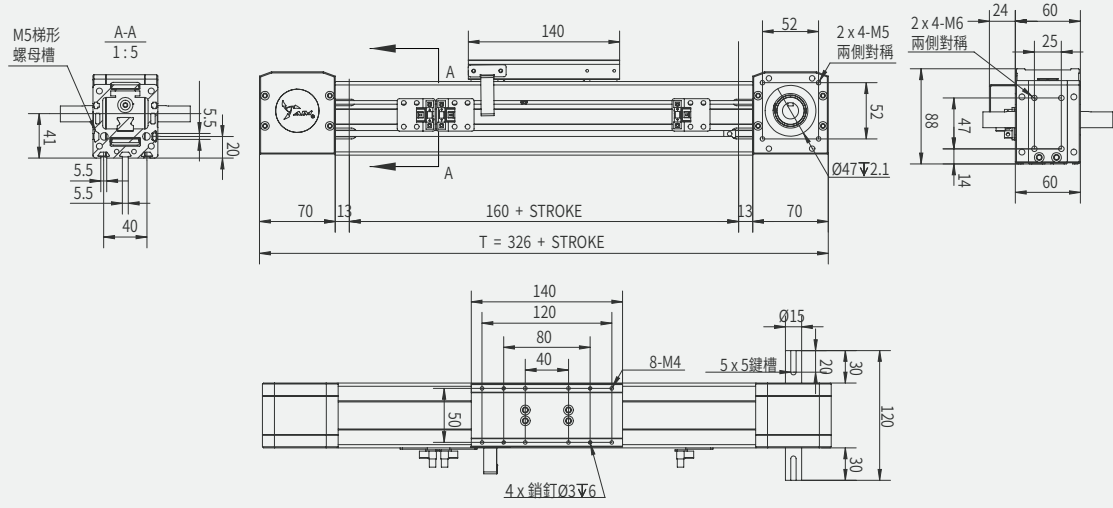
60L

80L

112L

AIMT60L-RD 雙出軸 dual Solid Shaft

單位 Unit: mm



本圖面僅供參考用途，實際尺寸皆以實際提供之2D/3D圖紙為準 This drawing is for reference only. The actual dimensions are based on the actual 2D / 3D drawings provided.

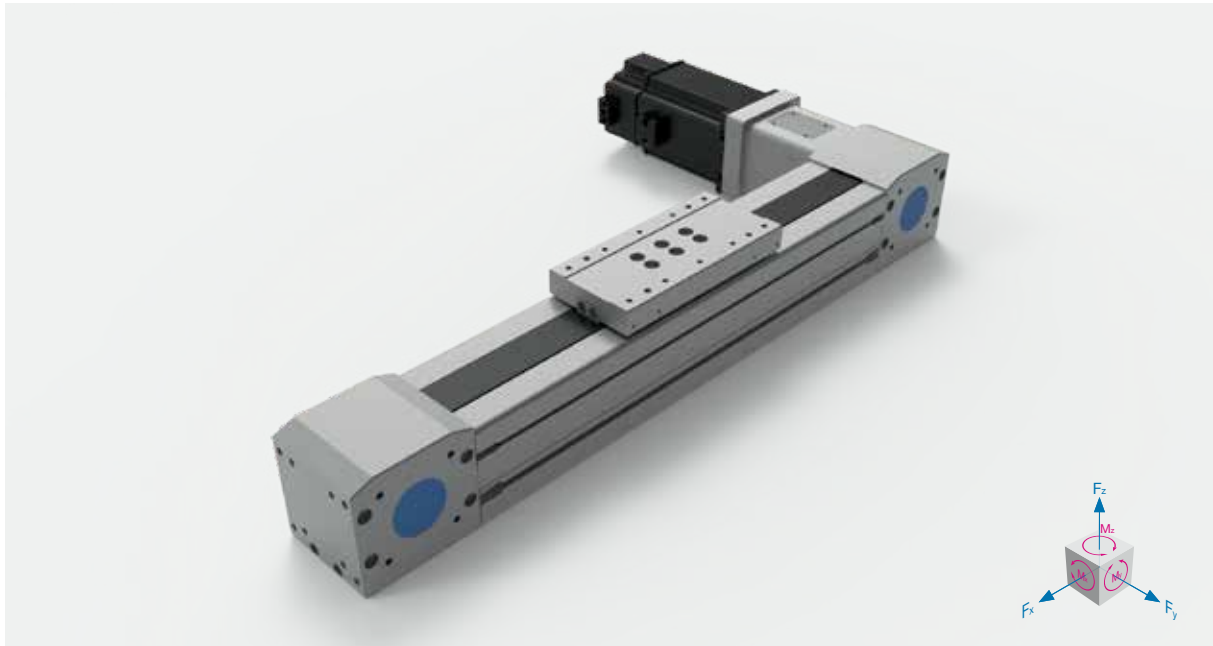
- 日規電缸滑台  
J linear actuator
- 歐規電缸滑台  
EU linear actuator
- 超長型電缸滑台  
Super length linear actuator**
- 活塞杆電動缸  
Cylinder actuator
- 旋轉台  
Rotary stage
- 精密對位平台  
Precision alignment stage
- 減速機  
Gear reducer
- 十字轉向器  
Bevel gearbox
- 半密封同步帶  
Semi sealed toothed belt axis
- 全密封同步帶  
Sealed toothed belt axis

<b>T</b>
45L
<b>60L</b>
80L
112L

# 超長型半密同步帶電缸滑台

SUPER LENGTH SEMI SEALED TOOTHED BELT AXES LINEAR ACTUATOR

- 日規電缸滑台  
JP linear actuator
- 歐規電缸滑台  
EU linear actuator
- 超長型電缸滑台  
Super length linear actuator**
- 活塞杆電動缸  
Cylinder actuator
- 旋轉台  
Rotary stage
- 精密對位平台  
Precision alignment stage
- 減速機  
Gear reducer
- 十字轉向器  
Bevel gearbox
- 半密同步帶  
Semi sealed toothed belt axes
- 全密同步帶  
Sealed toothed belt axes



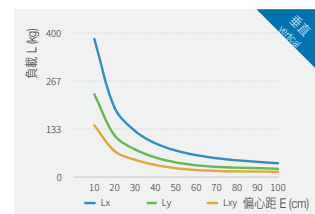
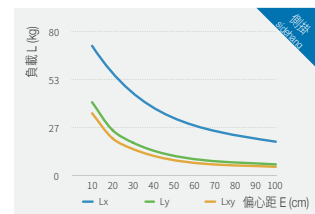
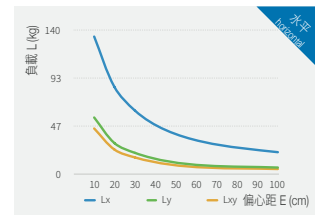
## AIMT 80L - 400 - RB - D - T2 - M750 - O - S3

超長型半密同步帶 Super Length Semi Sealed Toothed Belt Axes	缸徑 Size (mm)	行程 Stroke (mm)	右側出軸方向 Right Solid Shaft Direction	馬達安裝位置 Motor Position	減速比配置 Reducer Ratio Config.	馬達功率 Motor Power (W)	光電開關 Optical Proximity Sensor Position	開關數 Number of Sensors
			RF 向前 Forward RB 向後 Backward RD 雙向 Two-way	D 直接安裝 Direct P 間接安裝 Parallel	無 None T 同步輪 Timing Pulleys G 減速機 Gear Reducor 1:2~1:10	M 三菱 Mitsubishi T 台達 Delta P 松下 Panasonic O 其他 Others Y 安川 Yokawa	無 None O 外掛 Hang Outside	S3 3個開關 3x Sensors Sn n個開關 nx Sensors

● 有選項 Optional ● 無選項 No options

馬達輸出 Motor Power (W)	750		
額定扭矩 Torque (Nm)	2.39		
同步帶規格 Toothed Belt Size (mm)	HTD8M - 30 x 5		
重複定位精度 Rep. Accuracy (mm)	±0.1		
減速比配置 Reducer Ratio Config.	同步輪 Timing Pulleys	1:2	減速機 Gear Reducor 1:3-1:10
同步帶導程 Toothed Belt Size (mm)	200		
最高速度 Max. Speed (mm/s)	5000		
行程範圍 Stroke Range (mm)	100...5000 / 100 間隔 Pitch		
每米行程的轉動慣量 Per Meter Stroke (kg cm <sup>2</sup> /m)	3.4		
每公斤負載轉動慣量 Per Kg Working Load (kg cm <sup>2</sup> /kg)	7.4		
最大負載值 Max. Load (Kg)	70	水平 Horizontal	70
		側掛 Sidehang	50

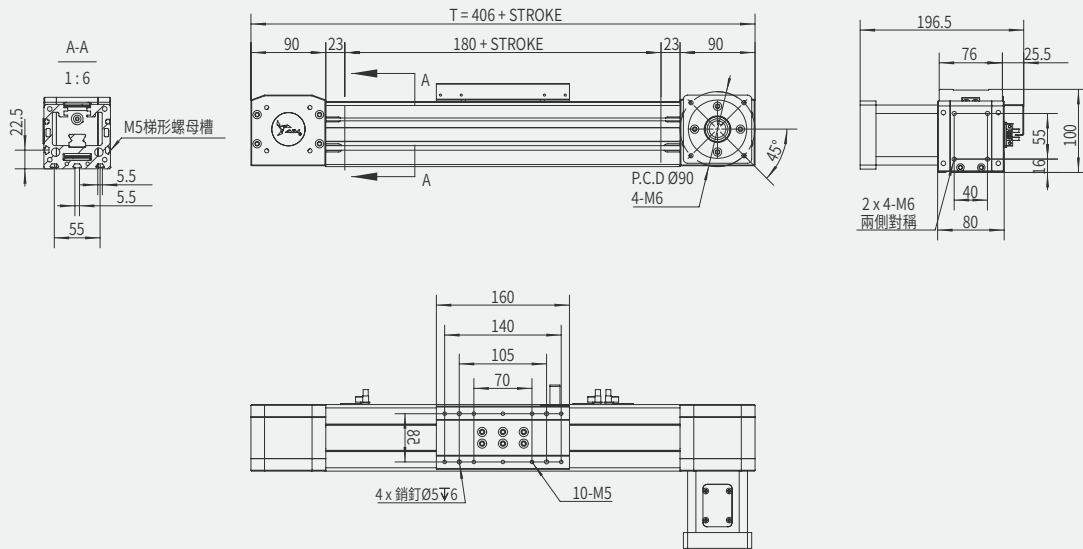
力和力矩 Force and torques	F <sub>y</sub> (N)	1050
	F <sub>z</sub> (N)	3200
	M <sub>x</sub> (N.m)	40
	M <sub>y</sub> (N.m)	230
面積二次矩 2nd moment of area	L <sub>xx</sub> (cm <sup>4</sup> )	166
	L <sub>yy</sub> (cm <sup>4</sup> )	192
0mm行程基本重量 Basic Weight for 0mm Stroke (kg)	9.2	
每100mm行程增加重量 Additional Weight per 100mm Stroke (kg)	0.92	
磁簧開關 Proximity Sensor	CS1-M-1M 觸點式1米 1m Contact Type	
	CS1-MN-3M 無觸點NPN型3米 1m Contactless NPN Transistor	
	CS1-MP-3M 無觸點PNP型3米 1m Contactless PNP Transistor	



以上負載力矩曲線，客戶選用之負載需在我司產品最大負載範圍內 Above load torque curve, the loading should be within the maximum load range

AIMT80L-RF-D 向前直接安裝 motor direct forward installed

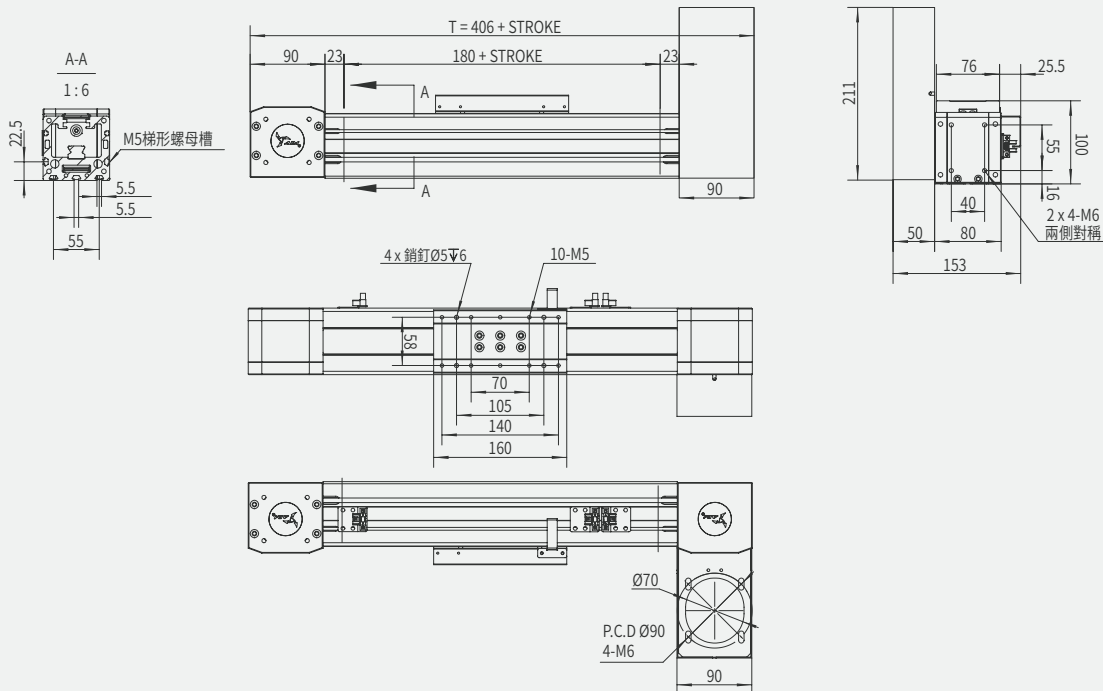
單位 Unit: mm



本圖面僅供參考用途，實際尺寸皆以實際提供之2D/3D圖紙為準 This drawing is for reference only. The actual dimensions are based on the actual 2D / 3D drawings provided.

AIMT80L-RF-P 向前間接安裝 motor parallel forward installed

單位 Unit: mm



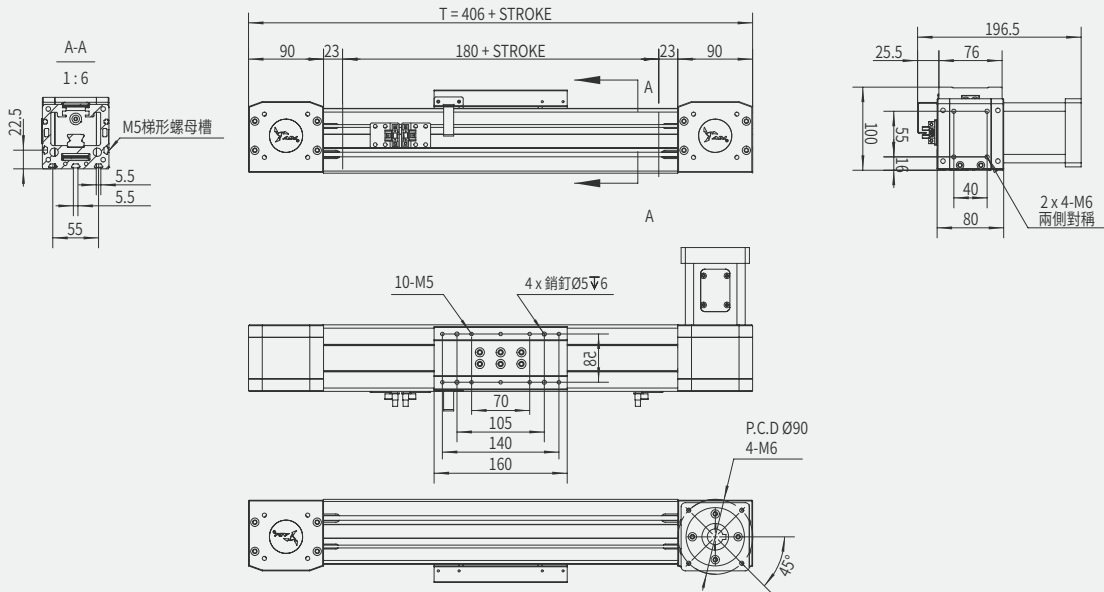
本圖面僅供參考用途，實際尺寸皆以實際提供之2D/3D圖紙為準 This drawing is for reference only. The actual dimensions are based on the actual 2D / 3D drawings provided.

- 日規電缸滑台  
J linear actuator
- 歐規電缸滑台  
EU linear actuator
- 超長型電缸滑台  
Super length linear actuator
- 活塞杆電動缸  
Cylinder actuator
- 旋轉台  
Rotary stage
- 精密對位平台  
Precision alignment stage
- 減速機  
Gear reducer
- 十字轉向器  
Bevel gearbox
- 半密封同步帶  
Semi sealed toothed belt axis
- 全密封同步帶  
Sealed toothed belt axis

- T
- 45L
- 60L
- 80L
- 112L

AIMT80L-RB-D 向後直接安裝 motor direct forward installed

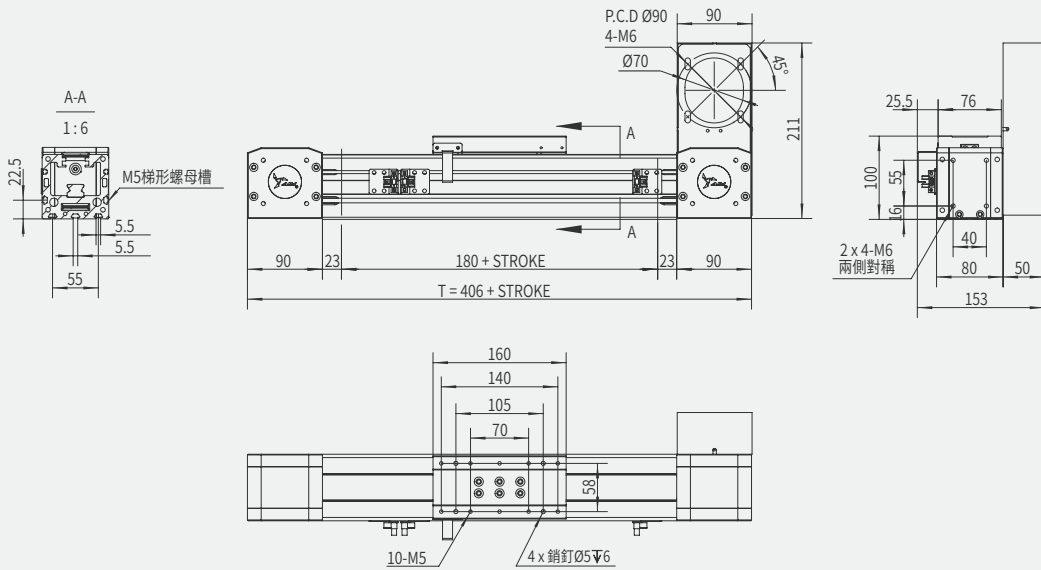
單位 Unit: mm



本圖面僅供參考用途，實際尺寸皆以實際提供之2D/3D圖紙為準 This drawing is for reference only. The actual dimensions are based on the actual 2D / 3D drawings provided.

AIMT80L-RB-P 向後間接安裝 motor parallel forward installed

單位 Unit: mm



本圖面僅供參考用途，實際尺寸皆以實際提供之2D/3D圖紙為準 This drawing is for reference only. The actual dimensions are based on the actual 2D / 3D drawings provided.

T

45L

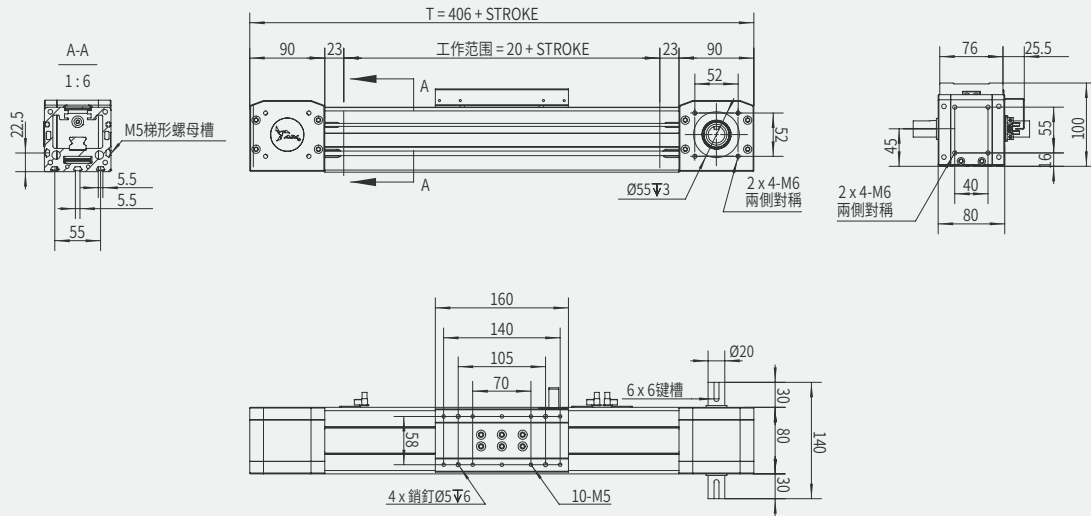
60L

80L

112L

AIMT80L-RD 雙出軸 dual Solid Shaft

單位 Unit: mm



本圖面僅供參考用途，實際尺寸皆以實際提供之2D/3D圖紙為準 This drawing is for reference only. The actual dimensions are based on the actual 2D / 3D drawings provided.

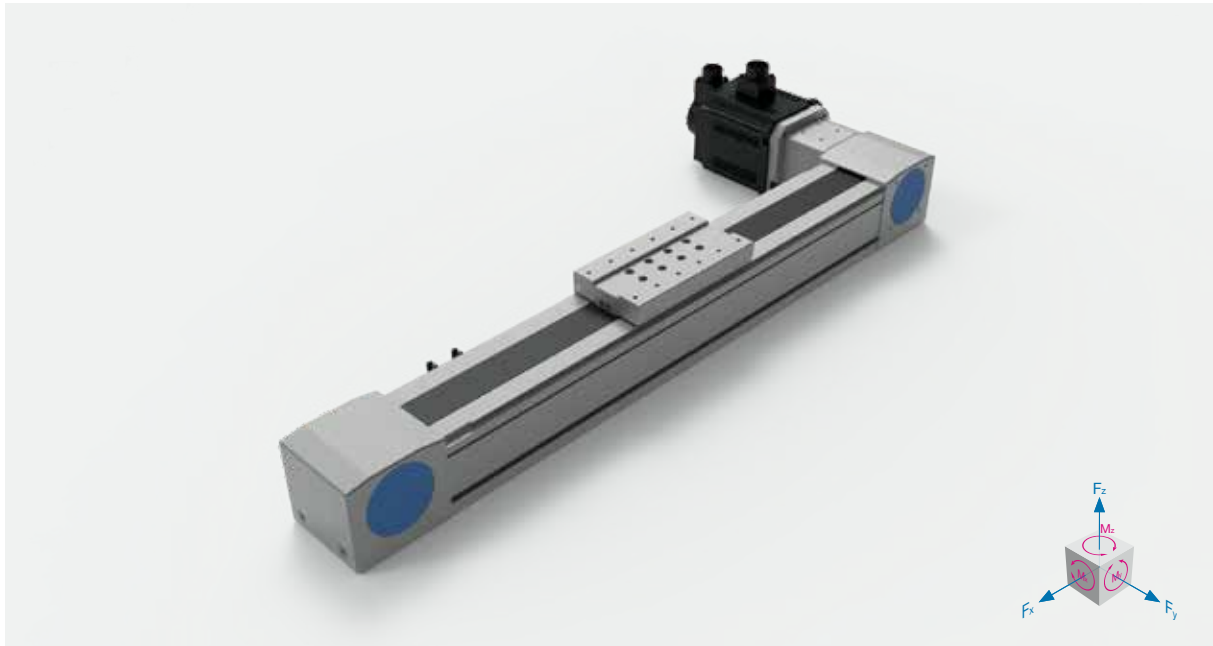
- 日規電缸滑台  
J linear actuator
- 歐規電缸滑台  
EU linear actuator
- 超長型電缸滑台  
Super length linear actuator
- 活塞杆電動缸  
Cylinder actuator
- 旋轉台  
Rotary stage
- 精密對位平台  
Precision alignment stage
- 減速機  
Gear reducer
- 十字轉向器  
Bevel gearbox
- 半密同步帶  
Semi sealed toothed belt axis
- 全密同步帶  
Sealed toothed belt axis

T
45L
60L
80L
112L

# 超長型半密同步帶電缸滑台

SUPER LENGTH SEMI SEALED TOOTHED BELT AXES LINEAR ACTUATOR

- 日規電缸滑台  
JP linear actuator
- 歐規電缸滑台  
EU linear actuator
- 超長型電缸滑台  
Super length linear actuator**
- 活塞杆電動缸  
Cylinder actuator
- 旋轉台  
Rotary stage
- 精密對位平台  
Precision alignment stage
- 減速機  
Gear reducer
- 十字轉向器  
Bevel gearbox
- 半密同步帶  
Semi sealed toothed belt axes
- 全密同步帶  
Sealed toothed belt axes



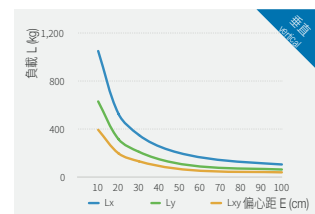
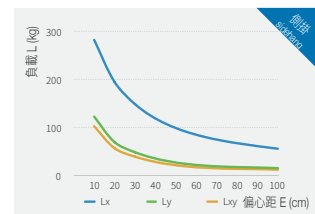
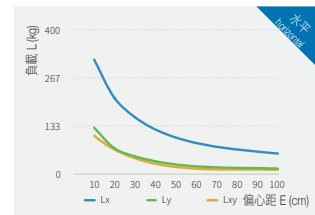
## AIMT 112L-400-RB-D-T2-M1000-O-S3

超長型半密同步帶 Super Length Semi Sealed Toothed Belt Axes	缸徑 Size (mm)	行程 Stroke (mm)	右側出軸方向 Right Solid Shaft Direction	馬達安裝位置 Motor Position	減速比配置 Reducer Ratio Config.	馬達功率 Motor Power (W)	光電開關 Optical Proximity Sensor Position	開關數 Number of Sensors
RF 向前 Forward			D 直接安裝 Direct	無 None	M 三菱 Mitsubishi	T 台達 Delta	無 None	S3 3個開關 3x Sensors
RB 向後 Backward			P 間接安裝 Parallel	T 同步輪 Timing Pulleys	P 松下 Panasonic	O 其他 Others	O 外掛 Hang Outside	Sn n個開關 nx Sensors
RD 雙向 Two-way				G 減速機 Gear Reducor	Y 安川 Yokawa			
					1:2~1:10	1000 中慣量 Medium Inertia		

● 有選項 Optional    ● 無選項 No options

馬達輸出 Motor Power (W)	1000中慣量		
額定扭矩 Torque (Nm)	4.77		
同步帶規格 Toothed Belt Size (mm)	HTD8M - 45 x 6		
重複定位精度 Rep. Accuracy (mm)	±0.1		
減速比配置 Reducer Ratio Config.	同步輪 Timing Pulleys	1:2~1:3	減速機 Gear Reducor
同步帶導程 Toothed Belt Size (mm)	220		
最高速度 Max. Speed (mm/s)	5000		
行程範圍 Stroke Range (mm)	100...12000 / 100 間隔 Pitch		
每米行程的轉動慣量 Per Meter Stroke (kg cm <sup>2</sup> /m)	4.8		
每公斤負載轉動慣量 Per Kg Working Load (kg cm <sup>2</sup> /kg)	11		
最大負載值 Max. Load (Kg)	160	水平 Horizontal	160
		側掛 Sidehang	120

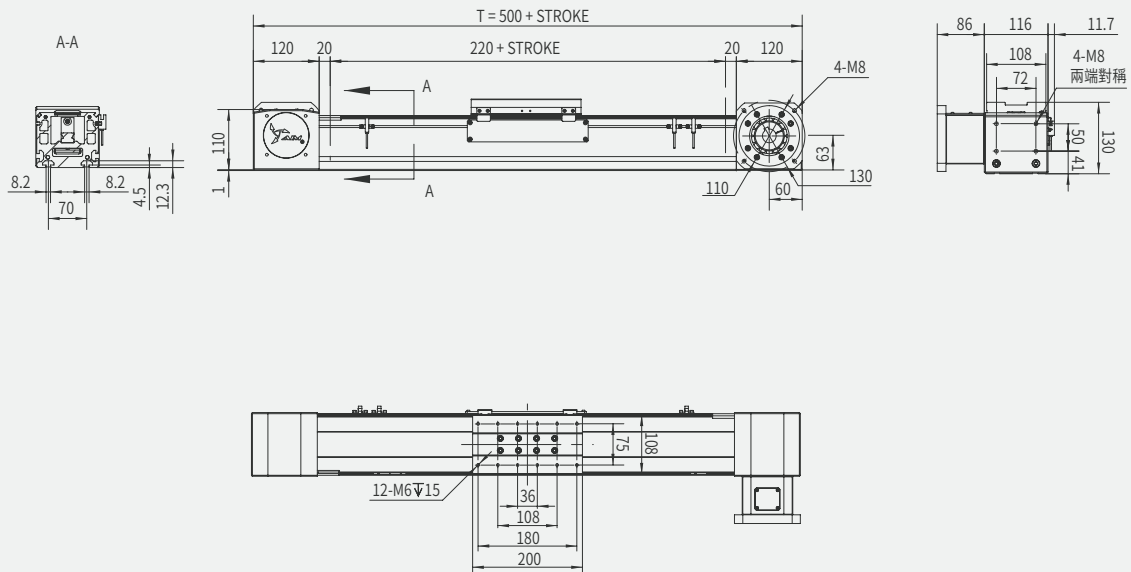
力和力矩 Force and torques	F <sub>y</sub> (N)	5130
	F <sub>z</sub> (N)	6430
	M <sub>x</sub> (N.m)	97
	M <sub>y</sub> (N.m)	630
面積二次矩 2nd moment of area	L <sub>xx</sub> (cm <sup>2</sup> )	424
	L <sub>yy</sub> (cm <sup>2</sup> )	605
0mm行程基本重量 Basic Weight for 0mm Stroke (kg)	30.3	
每100mm行程增加重量 Additional Weight per 100mm Stroke (kg)	2.6	
磁簧開關 Proximity Sensor	CS1-M-1M 觸點式1米 1m Contact Type	
	CS1-M-3M 無觸點NPN型3米 1m Contactless NPN Transistor	
	CS1-MP-3M 無觸點PNP型3米 1m Contactless PNP Transistor	



以上負載力矩曲線，客戶選用之負載需在我司產品最大負載範圍內 Above load torque curve, the loading should be within the maximum load range

AIMT112L-RF-D 向前直接安裝 motor direct forward installed

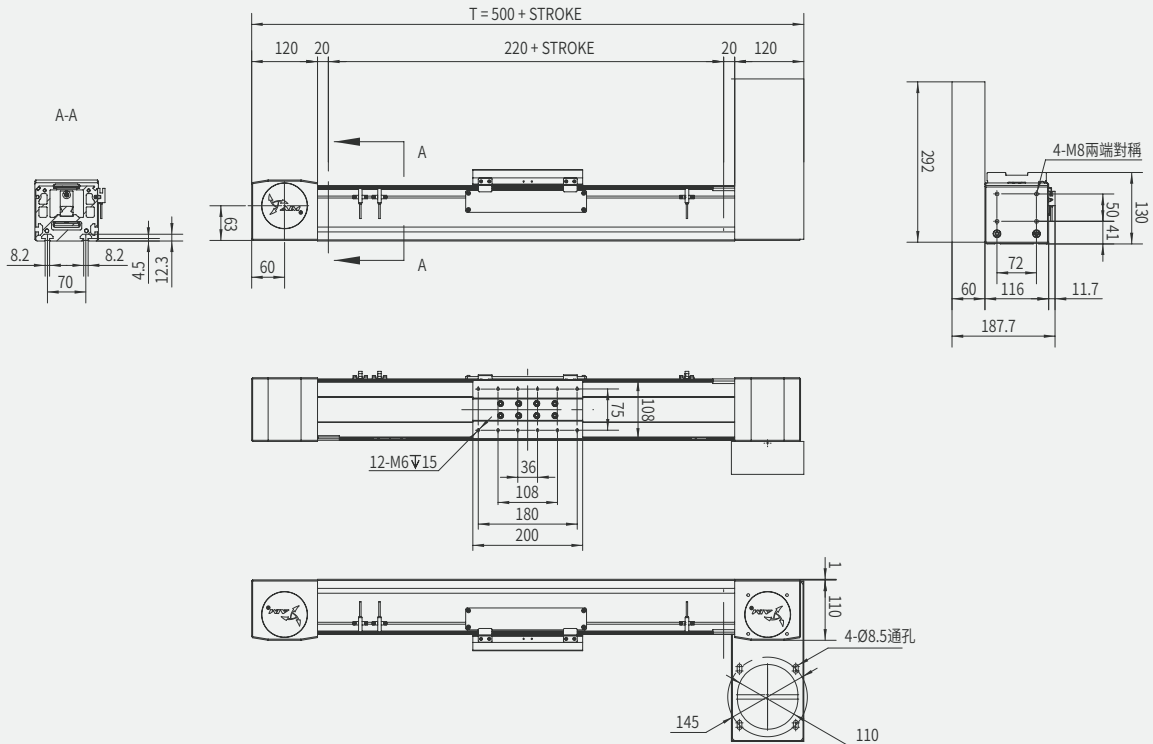
單位 Unit: mm



本圖面僅供參考用途，實際尺寸皆以實際提供之2D/3D圖紙為準 This drawing is for reference only. The actual dimensions are based on the actual 2D / 3D drawings provided.

AIMT112L-RF-P 向前間接安裝 motor parallel forward installed

單位 Unit: mm



本圖面僅供參考用途，實際尺寸皆以實際提供之2D/3D圖紙為準 This drawing is for reference only. The actual dimensions are based on the actual 2D / 3D drawings provided.

日規電缸滑台  
Linear actuator

歐規電缸滑台  
EU linear actuator

超長型電缸滑台  
Super length linear actuator

活塞杆電動缸  
Cylinder actuator

旋轉台  
Rotary stage

精密對位平台  
Precision alignment stage

減速機  
Gear reducer

十字轉向器  
Bevel gearbox

半密同步帶  
Semi sealed toothed belt axis

全密同步帶  
Sealed toothed belt axis

T

45L

60L

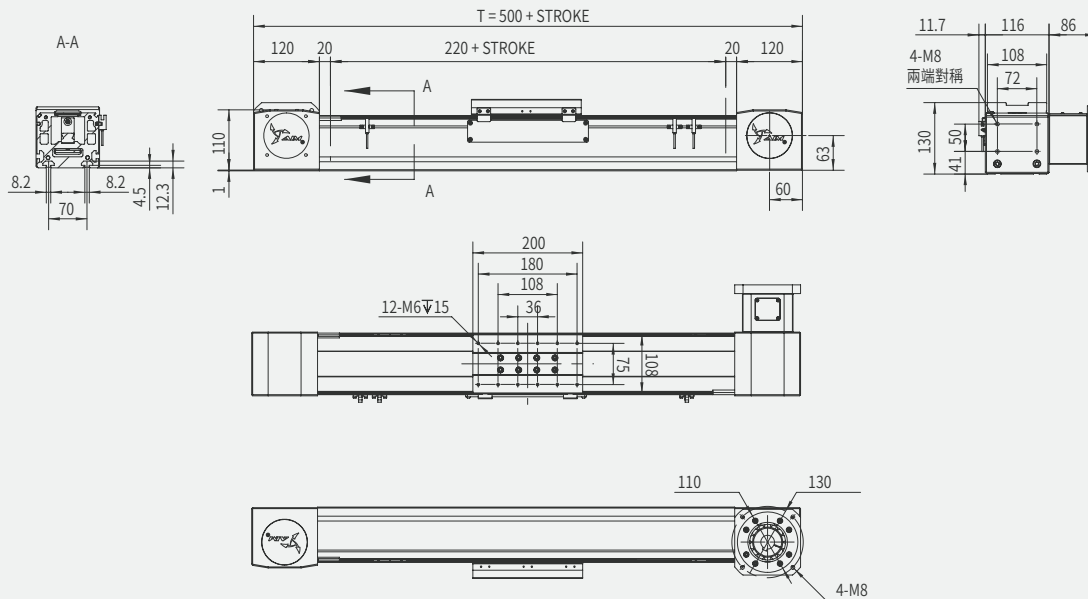
80L

112L



AIMT112L-RB-D 向後直接安裝 motor direct forward installed

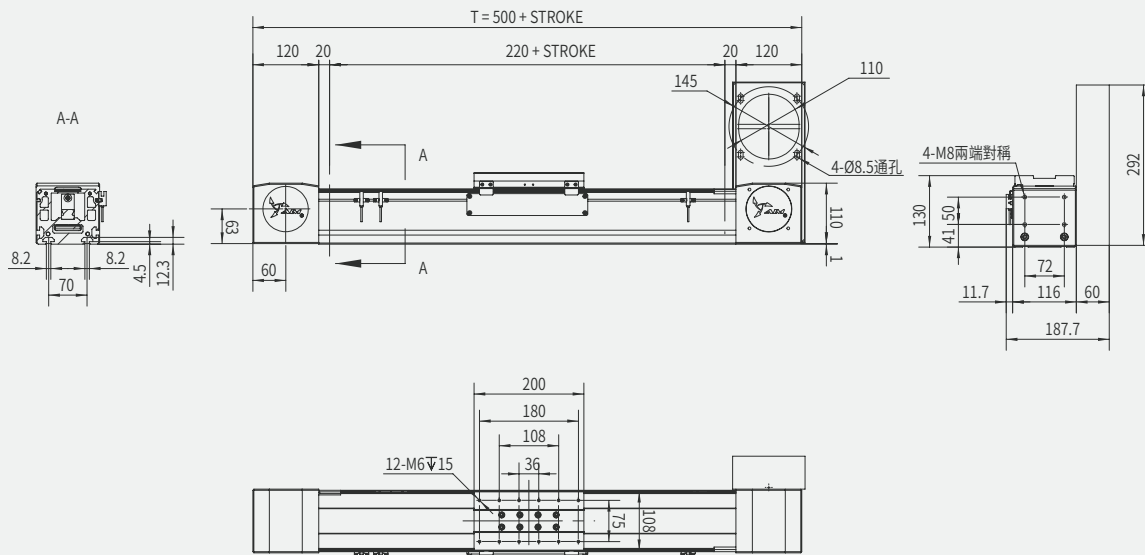
單位 Unit: mm



本圖面僅供參考用途，實際尺寸皆以實際提供之2D/3D圖紙為準 This drawing is for reference only. The actual dimensions are based on the actual 2D / 3D drawings provided.

AIMT112L-RB-P 向後間接安裝 motor parallel forward installed

單位 Unit: mm



本圖面僅供參考用途，實際尺寸皆以實際提供之2D/3D圖紙為準 This drawing is for reference only. The actual dimensions are based on the actual 2D / 3D drawings provided.

T

45L

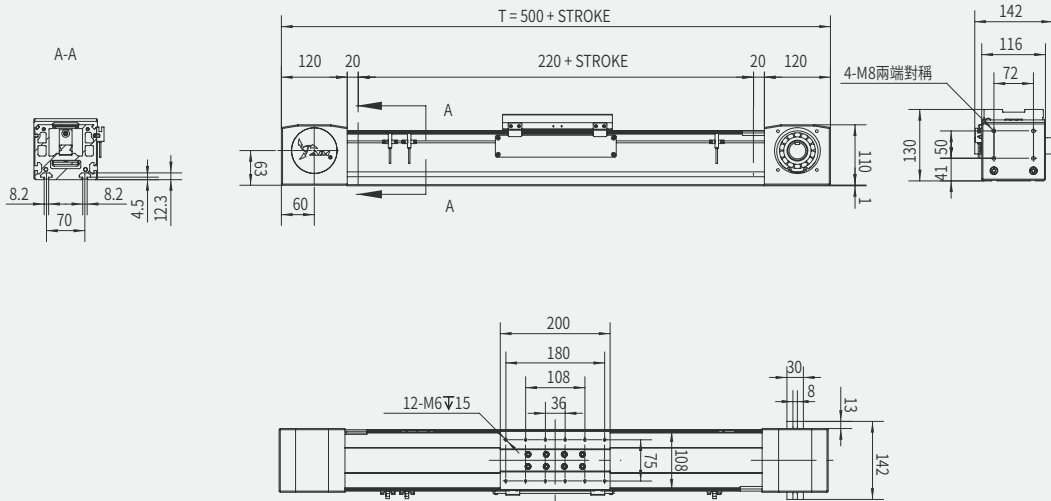
60L

80L

112L

AIMT112L-RD 雙出軸 dual Solid Shaft

單位 Unit: mm

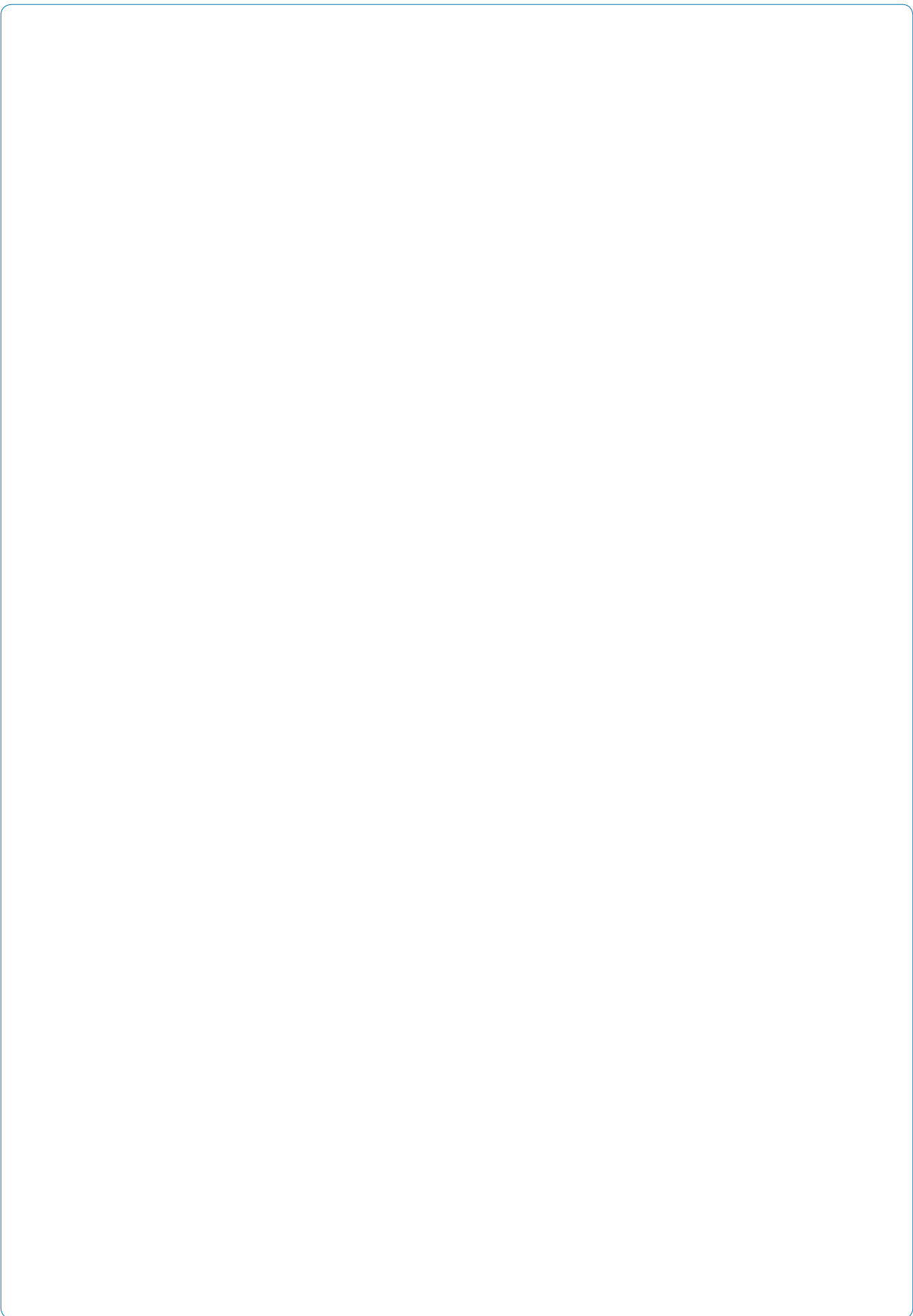


本圖面僅供參考用途，實際尺寸皆以實際提供之2D/3D圖紙為準 This drawing is for reference only. The actual dimensions are based on the actual 2D / 3D drawings provided.

- 日規電缸滑台  
J linear actuator
- 歐規電缸滑台  
EU linear actuator
- 超長型電缸滑台  
Super length linear actuator
- 活塞杆電動缸  
Cylinder actuator
- 旋轉台  
Rotary stage
- 精密對位平台  
Precision alignment stage
- 減速機  
Gear reducer
- 十字轉向器  
Bevel gearbox
- 半密同步帶  
Semi sealed toothed belt axis
- 全密同步帶  
Sealed toothed belt axis

- T
- 45L
- 60L
- 80L
- 112L

減速機
日規電缸滑台 JP linear actuator
歐規電缸滑台 EU linear actuator
<b>超長型電缸滑台 Super length linear actuator</b>
活塞杆電動缸 Cylinder actuator
旋轉台 Rotary stage
精密對位平台 Precision alignment stage
減速機 Gear reducer
十字轉向器 Bevel gearbox
半密同步帶 Semi sealed toothed belt axes
<b>全密同步帶 Sealed toothed belt axes</b>



TW

45L
60L
80L
112L