

旋轉台

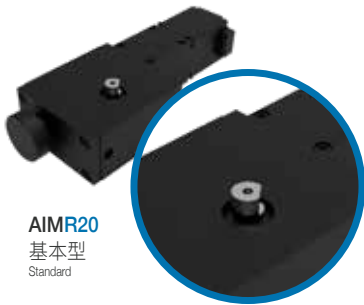
ROTARY TABLE

旋轉台

ROTARY TABLES



- 日規電缸滑台
JP linear actuator
- 歐規電缸滑台
EU linear actuator
- 超長型電缸滑台
Super length linear actuator
- 活塞杆電動缸
Cylinder actuator
- 旋轉台
Rotary stage
- 精密對位平台
Precision alignment stage
- 減速機
Gear reducer
- 十字轉向器
Bevel gearbox



AIMR 20 - S - S28

旋轉台 減速比 出軸方式 步進馬達
Rotary Stage Reduction Ratio Output Shaft Method Stepper Motor

20	標準型 Standard	S28	AIMR20
30		S	AIMR30
50		T	AIMR50

● 有選項 Optional ● 無選項 No options

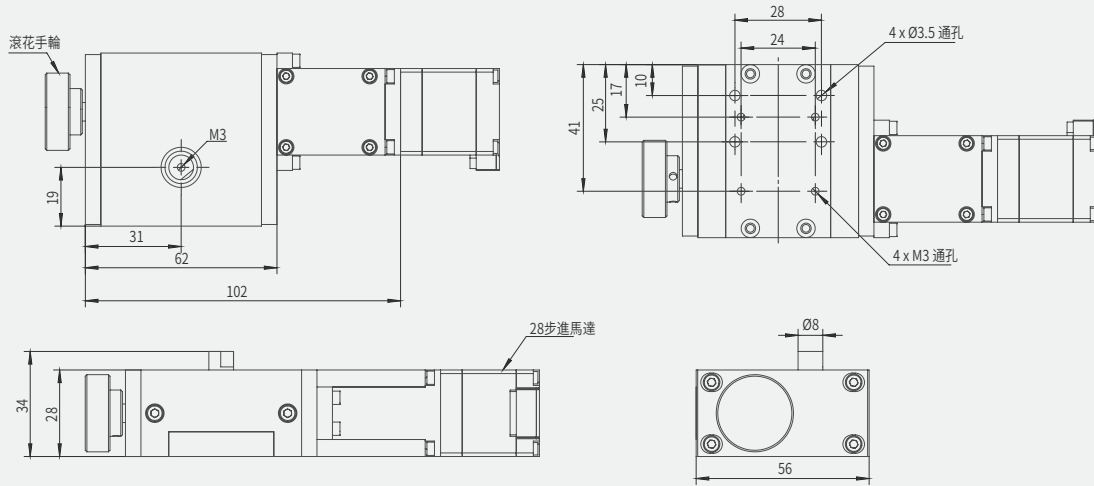
型號 Model	AIMR20	AIMR30	AIMR50	型號 Model	AIMR20	AIMR30	AIMR50
旋轉角度 Rotation Angel	360°			旋轉平台軸承 Rotary Platform Bearing	深溝球軸承 + 角接觸軸承 Deep groove ball bearings + angular contact bearings		
齒隙 Tooth Gap	±0.5°			減速比 Reduction Ratio	20	30	50
驅動方式 Driving Mode	蝸輪蝸桿 Worm Gear			重量 Weight (kg)	0.56	1.83	3.3
使用溫度範圍 Working Temperature	5~40°C			最大負載值 Max. Load (Kg)	1	3	6
重複定位精度 Rep. Accuracy	±0.05°			旋轉平台平行度 Rotary Stage Parallelism	≤ 0.05		
最高速度 Max. Speed	25° /Sec			旋轉平台同心度 Rotary Stage Concentricity	≤ 0.02		

以上負載力矩曲線，客戶選用之負載需在我司產品最大負載範圍內 Above load torque curve, the loading should be within the maximum load range

- R
- 20
- 30
- 50

AIMR20 基本型 standard

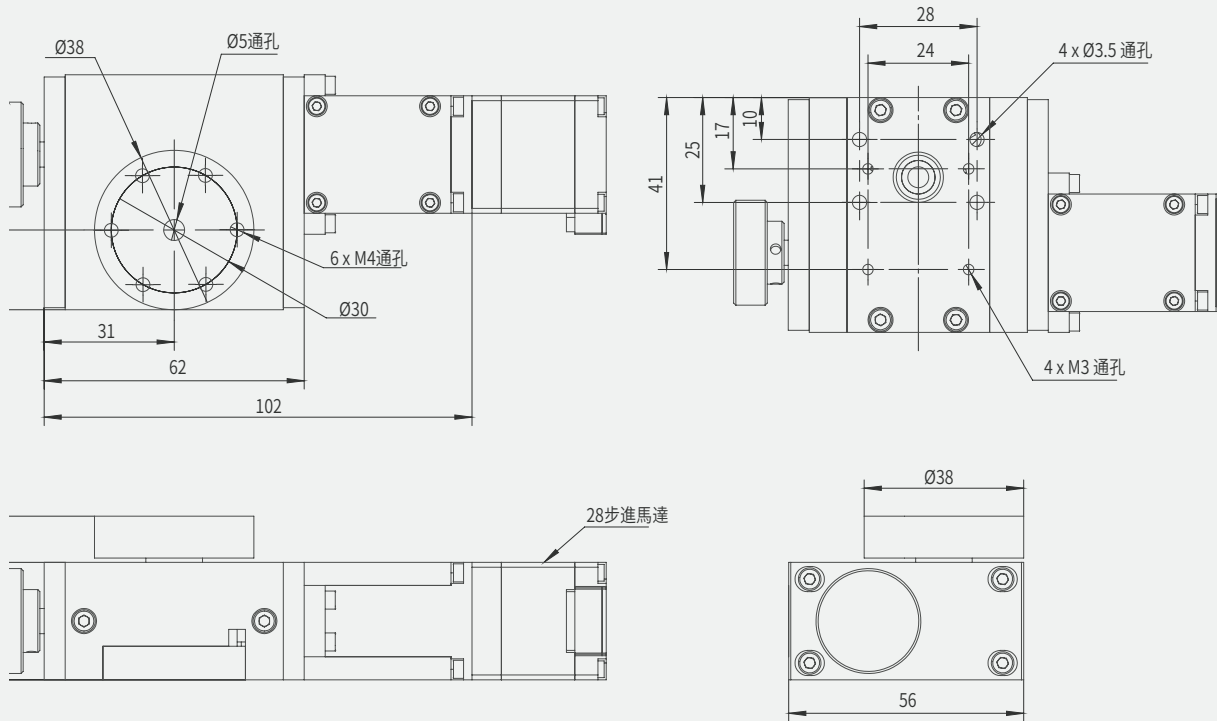
單位 Unit: mm



本圖面僅供參考用途，實際尺寸皆以實際提供之2D/3D圖紙為準 This drawing is for reference only. The actual dimensions are based on the actual 2D / 3D drawings provided.

AIMR20S 空心台面 hollow structure

單位 Unit: mm



本圖面僅供參考用途，實際尺寸皆以實際提供之2D/3D圖紙為準 This drawing is for reference only. The actual dimensions are based on the actual 2D / 3D drawings provided.

R

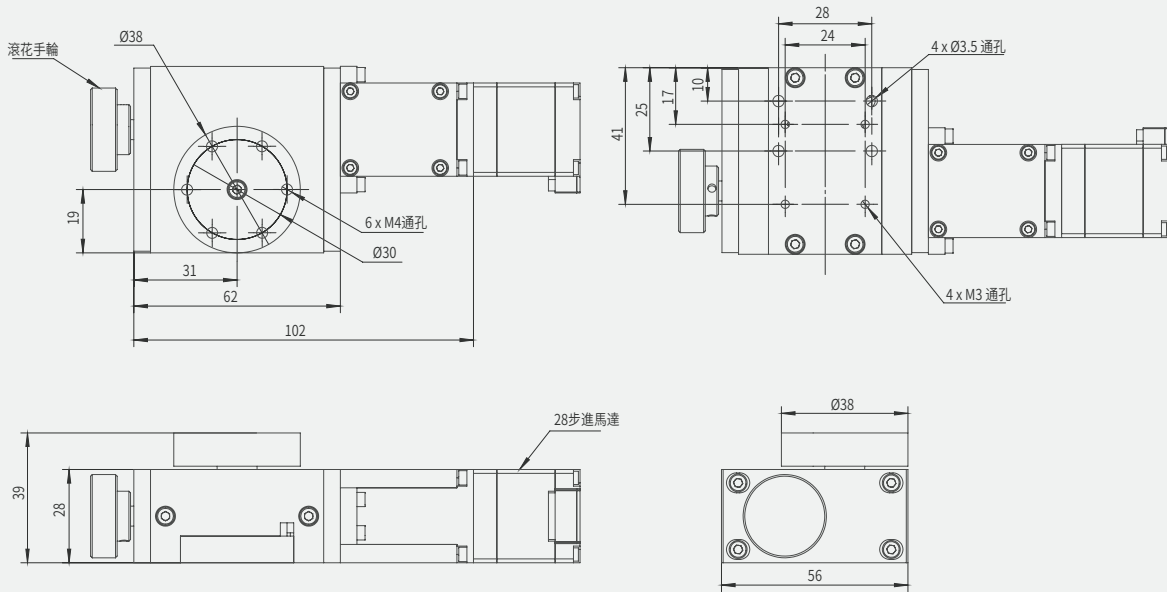
20

30

50

AIMR20T 實心台面 solid structure

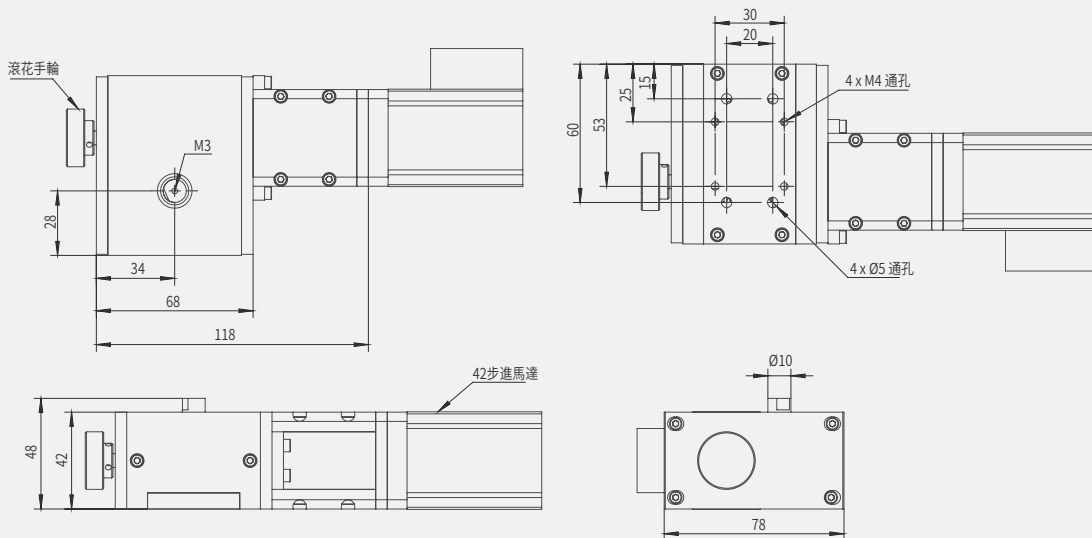
單位 Unit: mm



本圖面僅供參考用途，實際尺寸皆以實際提供之2D/3D圖紙為準 This drawing is for reference only. The actual dimensions are based on the actual 2D / 3D drawings provided.

AIMR30 基本型 standard

單位 Unit: mm



本圖面僅供參考用途，實際尺寸皆以實際提供之2D/3D圖紙為準 This drawing is for reference only. The actual dimensions are based on the actual 2D / 3D drawings provided.

- 日規電缸滑台
Linear actuator
- 歐規電缸滑台
EU linear actuator
- 超長型電缸滑台
Super length linear actuator
- 活塞杆電動缸
Cylinder actuator
- 旋轉台
Rotary stage**
- 精密對位平台
Precision alignment stage
- 減速機
Gear reducer
- 十字轉向器
Bevel gearbox

R

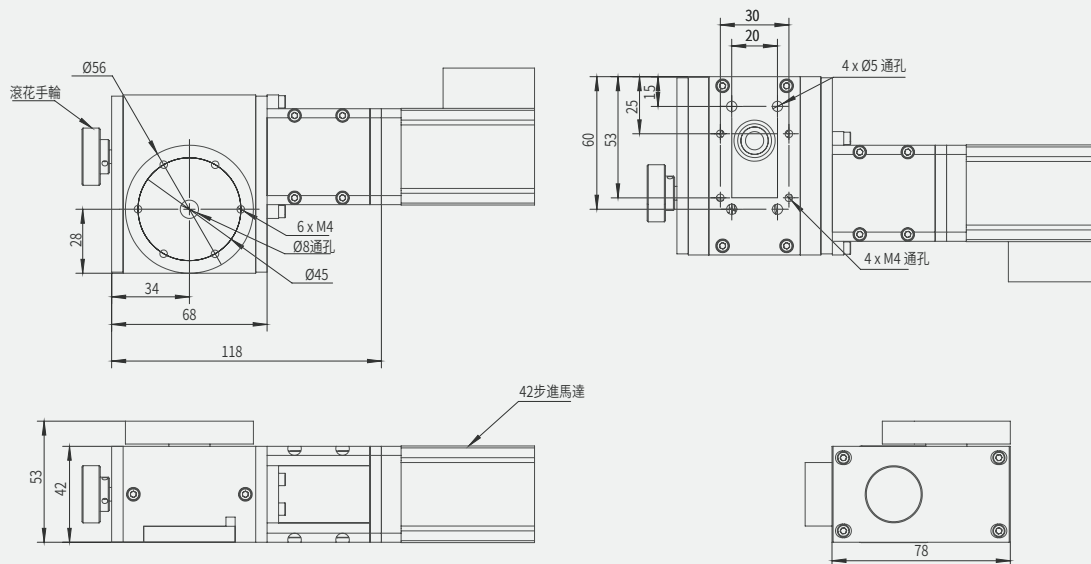
20

30

50

AIMR30S 空心台面 hollow structure

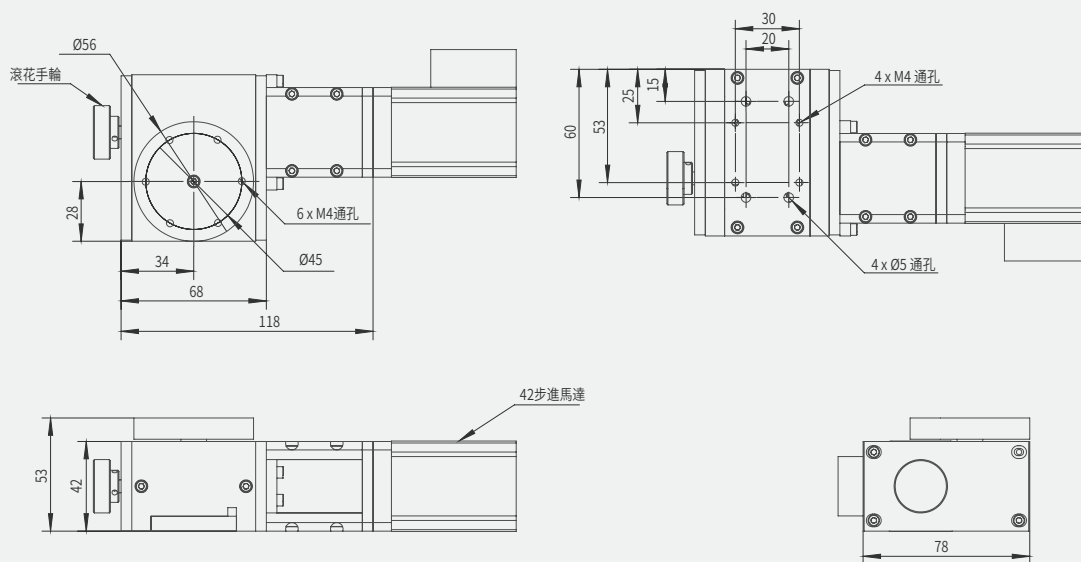
單位 Unit: mm



本圖面僅供參考用途, 實際尺寸皆以實際提供之2D/3D圖紙為準 This drawing is for reference only. The actual dimensions are based on the actual 2D / 3D drawings provided.

AIMR30T 實心台面 solid structure

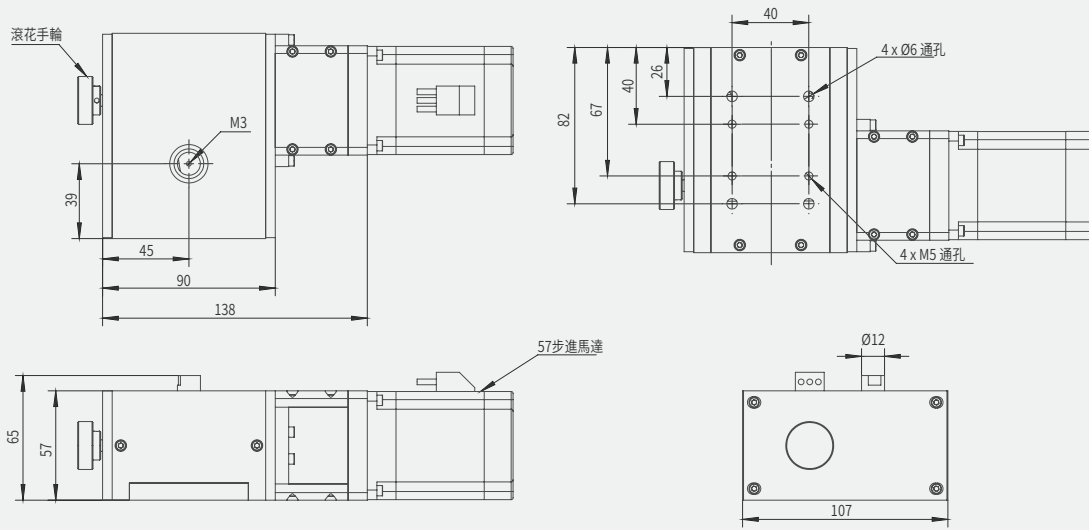
單位 Unit: mm



本圖面僅供參考用途, 實際尺寸皆以實際提供之2D/3D圖紙為準 This drawing is for reference only. The actual dimensions are based on the actual 2D / 3D drawings provided.

AIMR50 基本型 standard

單位 Unit: mm

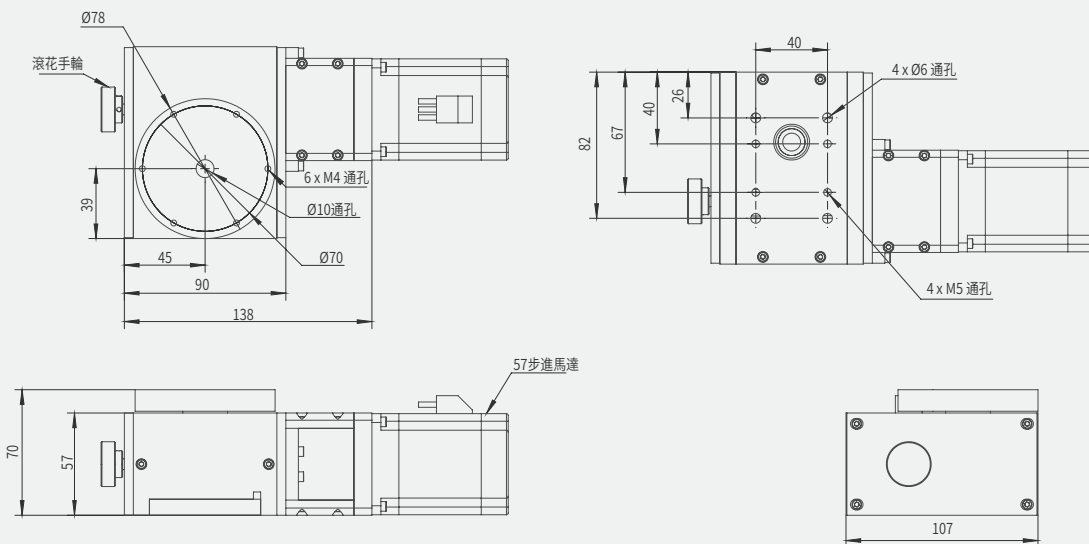


本圖面僅供參考用途，實際尺寸皆以實際提供之2D/3D圖紙為準 This drawing is for reference only. The actual dimensions are based on the actual 2D / 3D drawings provided.

- 日規電缸滑台
Linear actuator
- 歐規電缸滑台
EU linear actuator
- 超長型電缸滑台
Super length linear actuator
- 活塞杆電動缸
Cylinder actuator
- 旋轉台
Rotary stage**
- 精密對位平台
Precision alignment stage
- 減速機
Gear reducer
- 十字轉向器
Bevel gearbox

AIMR50S 空心台面 hollow structure

單位 Unit: mm

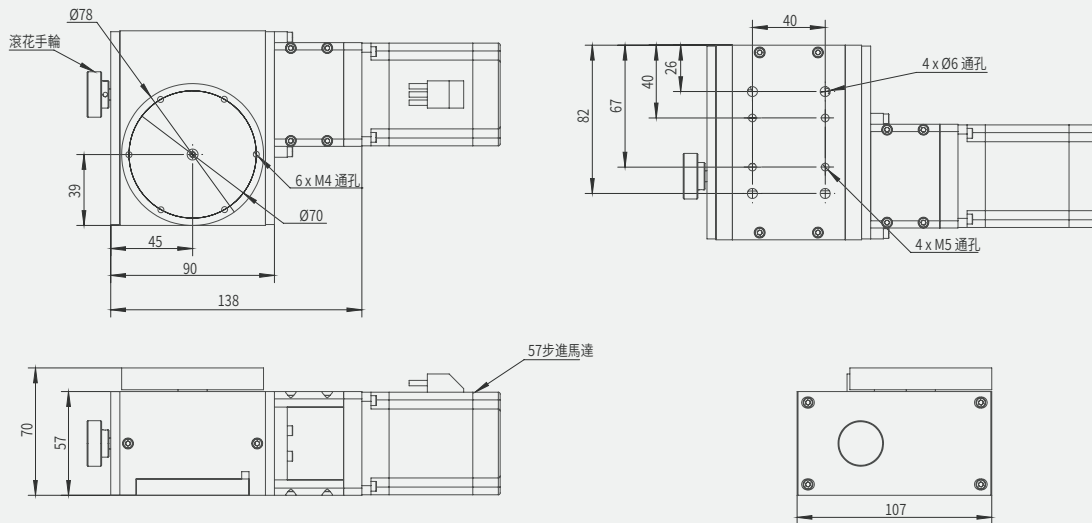


本圖面僅供參考用途，實際尺寸皆以實際提供之2D/3D圖紙為準 This drawing is for reference only. The actual dimensions are based on the actual 2D / 3D drawings provided.

- R
- 20
- 30
- 50**

AIMR50T 實心台面 solid structure

單位 Unit: mm



本圖面僅供參考用途，實際尺寸皆以實際提供之2D/3D圖紙為準 This drawing is for reference only. The actual dimensions are based on the actual 2D / 3D drawings provided.